



3-2721.090 Rev. F 10/12 English

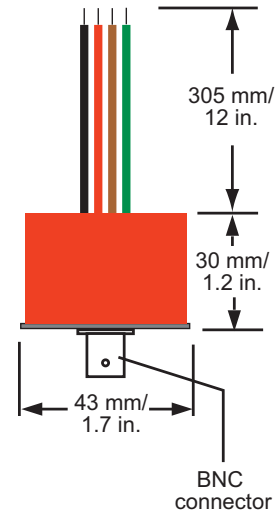
1. Specifications

Housing material:	Low density polyethylene
Electronics assembly:	Epoxy encapsulated
Input Impedance:	$> 10^{11} \Omega$
Operating temp.:	-15 to 65 °C
Gain:	X1 (unity)
Input power:	± 4.5 to ± 8 VDC, dual supply
Current consumption:	< 1 mA, dual supply
mV input signal:	± 2500 mV

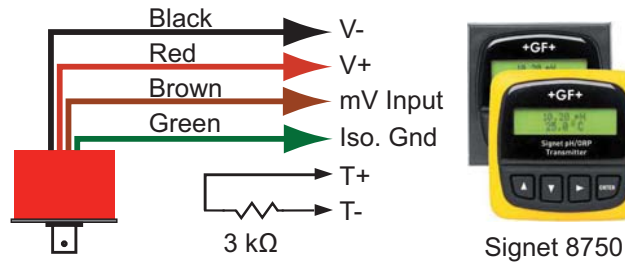


China RoHS
For more information go to www.gfsignet.com

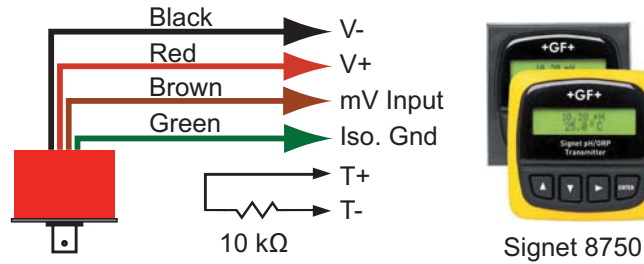
Dimensions:



2. pH Wiring

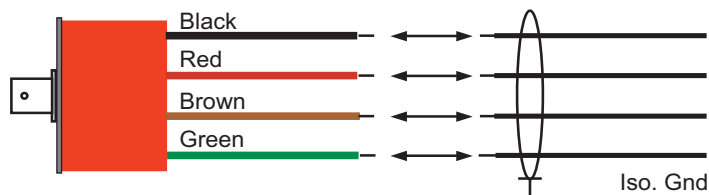


3. ORP Wiring



- 8750 terminal numbers vary depending on model number. See 8750 Instruction Manual.
- A 3 kΩ resistor (not supplied) across the T+ and T- terminals of the Signet pH instrument provides a simulated temperature input that is required for pH operation.
- A 10 kΩ resistor (not supplied) across the T+ and T- terminals of the Signet instrument initiates ORP operation.
- A shielded cable/preamp enclosure is recommended for optimum performance.

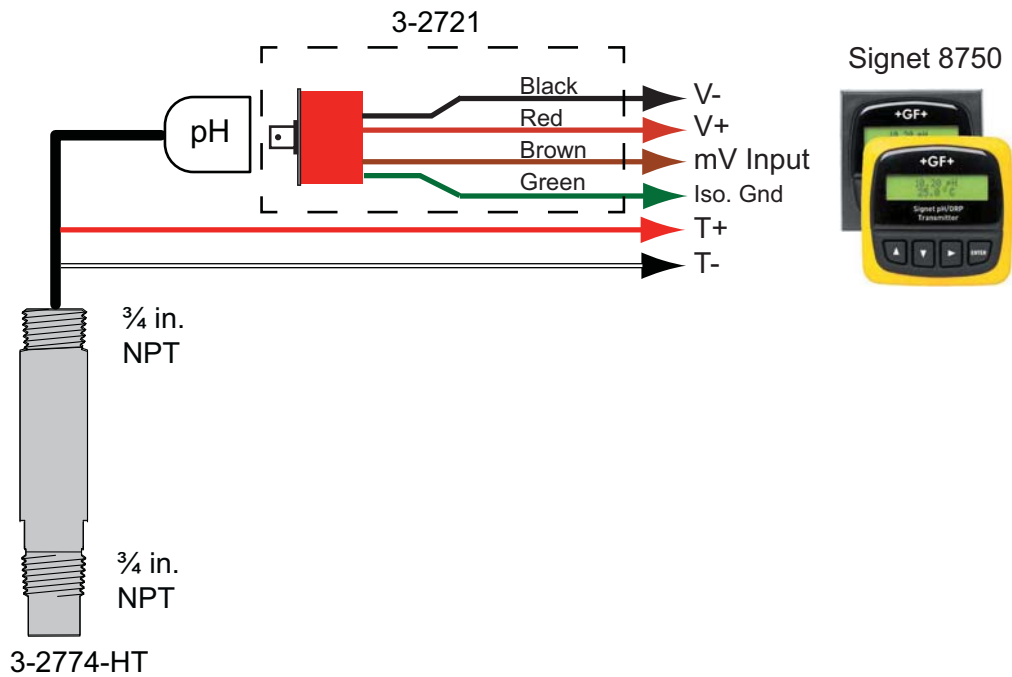
4. Cable Extensions



Use shielded cable for cable extensions up to 120 m (400 ft.)

5. 2721 Pre-amplifier and 2774-HT Special Purpose electrode

- The 2774-HT electrode is rated for temperature up to 110 °C (230 °F) and 150 psi (10.34 bar)
- This special-order electrode must be connected via the 2721 pre-amplifier.
- Connect the RED and WHITE wires to the T+ and T- terminals of the 8750 instrument.



Georg Fischer Signet LLC, 3401 Aerojet Avenue, El Monte, CA 91731-2882 U.S.A. • Tel. (626) 571-2770 • Fax (626) 573-2057
For Worldwide Sales and Service, visit our website: www.gfsignet.com • Or call (in the U.S.): (800) 854-4090
For the most up-to-date information, please refer to our website at www.gfsignet.com