

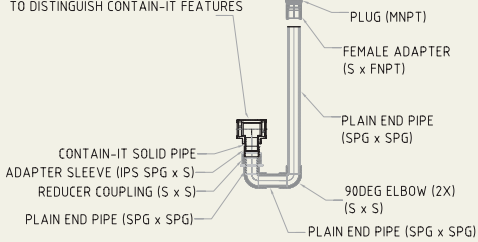
# Leak Detection Fittings

## Contain-It™

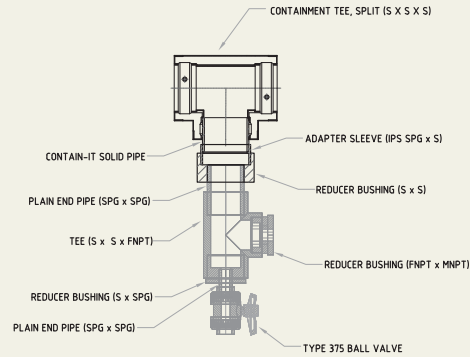
### Low Point Sump

CONTAINMENT TEE, SPLIT (S X S X S)

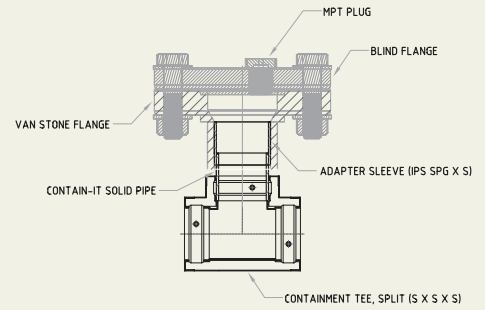
NOTE: MAINS TURNED 90DEG OUT OF POSITION TO DISTINGUISH CONTAIN-IT FEATURES



### Low Point Drain

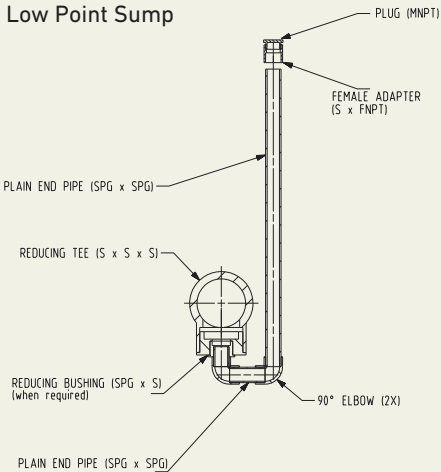


### Access Tee

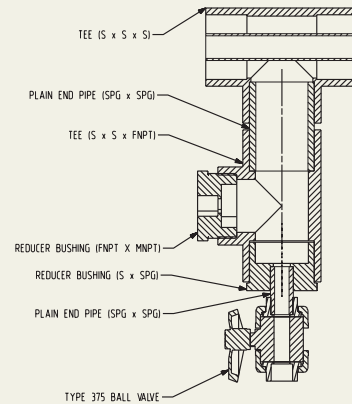


## Double-See®

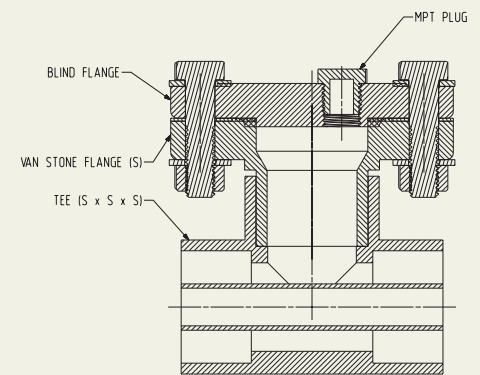
### Low Point Sump



### Low Point Drain

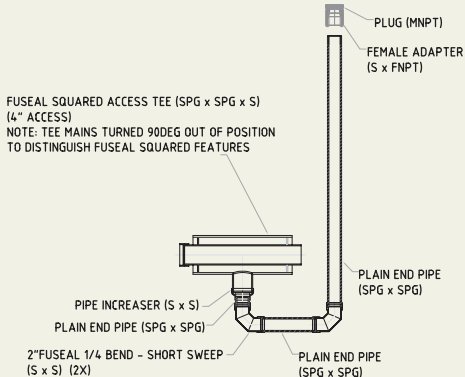


### Access Tee

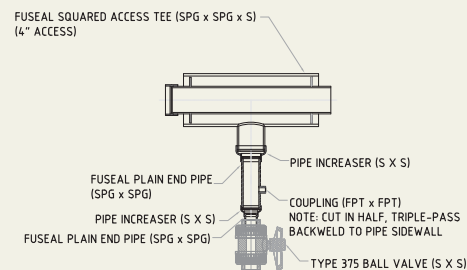


## Fuseal® Squared

### Low Point Sump



### Low Point Drain



### Access Tee

